

General Accessories

Connectors

Type CONB5...

CARLO GAVAZZI



CONB5x-Ax



CONB5x-Sx

- Straight or 90° connectors
- M8 version
- 3 or 4 wire
- IP 67
- UL approved

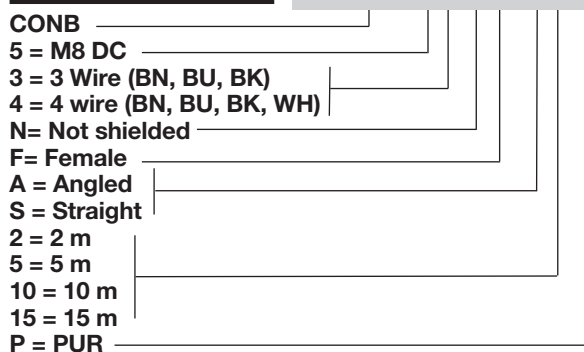
Product Description

M8 connection cables for 3 wires or 4 wires. Come in straight or angled versions.

UL approved high-quality connection cable PUR jacket.

Ordering Key

CONB53NF-A2P



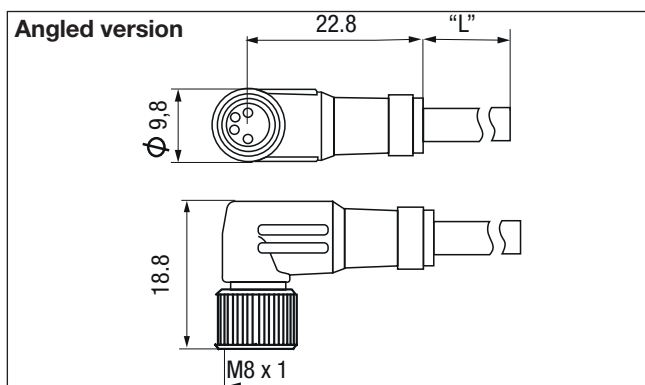
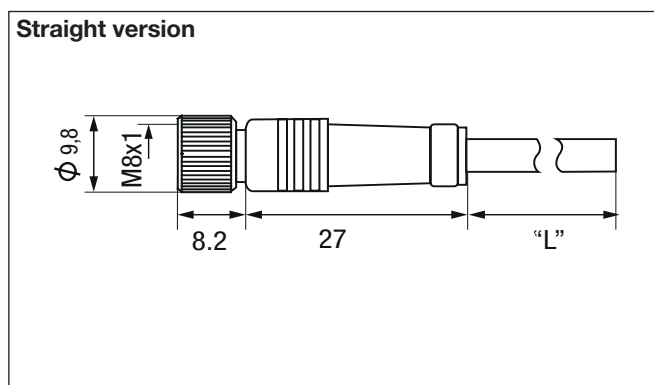
Type Selection

Plug type	Cable length	Ordering number PUR
3-Wire Angled	2 m	CONB53NF-A2P
	5 m	CONB53NF-A5P
	10 m	CONB53NF-A10P
	15 m	CONB53NF-A15P
3-Wire Straight	2 m	CONB53NF-S2P
	5 m	CONB53NF-S5P
	10 m	CONB53NF-S10P
	15 m	CONB53NF-S15P
4-Wire Angled	2 m	CONB54NF-A2P
	5 m	CONB54NF-A5P
	10 m	CONB54NF-A10P
	15 m	CONB54NF-A15P
4-Wire Straight	2 m	CONB54NF-S2P
	5 m	CONB54NF-S5P
	10 m	CONB54NF-S10P
	15 m	CONB54NF-S15P

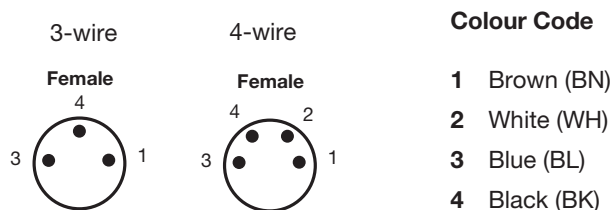
Specifications

Rated operating voltage 3 & 4 wire	60VAC/DC	Moulded body material	TPU translucent
Rated current	≤4A	O-ring sealing	FKM
Contact resistance	≤5mΩ	Coupling screw	CuZn, nickel plated
Rated impulse voltage	1.5KV	Degree of protection	IP67
Insulation resistance	>10 ⁹ Ω	Pollution degree	3
Cable outer diameter PUR	4.3mm	Pin IEC standard	IEC61076-2-104
Wire cross section	3 wires: 0,34mm ² 4 wires: 0,25mm ²	Temperature	-40° to 90°C
Cable	PUR, black	Weight*	
Contact material	CuSn	2m version	approx 100g
Contact plating	pre-nickelled and gold plated	5m version	approx 200g
Contact bearer material	PA/TPU orange	10m version	approx 300g
		15m version	approx 500g
			*varies depending on model

Dimensions



Contact layout



Derating curve (DIN EN 60512-5-2)

