

General Accessories

M8 IP69K Connector Cables

Type CONB5...W

CARLO GAVAZZI



- IP69K version
- Straight or 90° connector
- M8 version
- 4-wire
- Good resistance against chemicals
- High temperature - up to 105°C (UL 90°C)
- UL and ECOLAB approved

Product Description

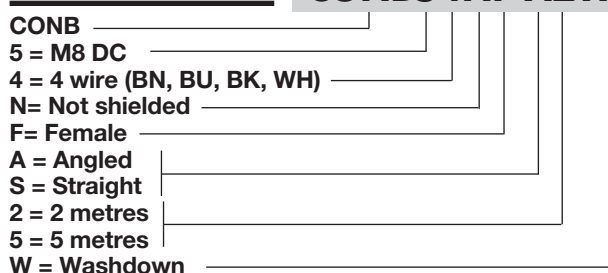
Highly robust IP69K connection cables for harsh environments. Especially suitable for use in washdown industries such as food & beverage, chemical and pharmaceutical industries thanks to the high standards of UL and ECOLAB. Featuring UL certified temperatures of up to 90°C, ECOLAB certification and IP69K protection class, the CONB IP69K connectors offer a guaranteed long term reliability even in the

harshes environments. Moreover, the connectors are resistant to aggressive chemicals and cleaning agents adhering to high Ecolab standards which make them very suitable to be used in Food & Beverage industry.

For maximum flexibility, the connectors are available in straight or angled versions in M8 connector, 4 wires.

Ordering Key

CONB54NF-A2W



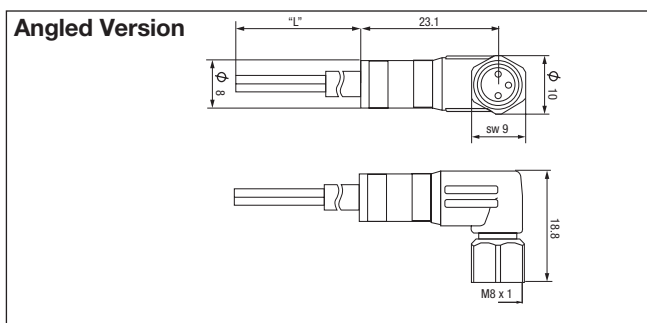
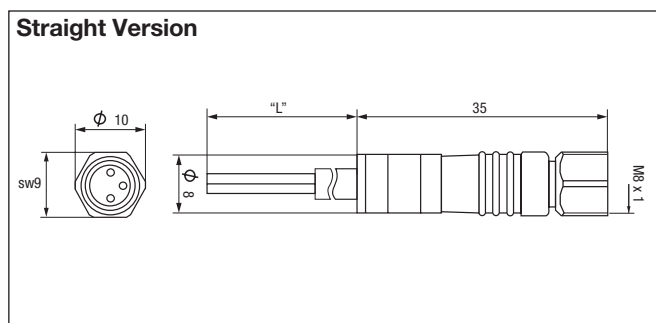
Type Selection

Plug type	Cable length	Ordering number TPE
4-Wire Angled	2 m	CONB54NF-A2W
	5 m	CONB54NF-A5W
4-Wire Straight	2 m	CONB54NF-S2W
	5 m	CONB54NF-S5W

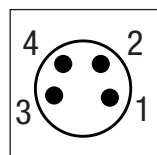
Specifications

Rated operating voltage (U_B)	30V AC/DC	Connection cable	TPE orange
Output current	≤ 4 A	Wire cross section	4 x 0.25 mm ² (jacket Ø 4.7 mm)
Contact resistance	≤ 5 mΩ	Weight	2 m version: approx 54g 5 m version: approx 130g
Contact material	Cu/Sn	Pollution degree	3
Coating	Cu/Au	Overvoltage category	III
Contact bearer material	PP white		
Temperature	-40° to +105°C (90°C UL) -40° to +221°F (194°F UL)		
Degree of protection	IP69K		
O-ring sealing	EPDM		
Rated Impulse Voltage	0.8 kV		
Insulation resistance	> 10 ⁹ Ohm		
Moulded body material	PP white		
Union Locking nut	V4A		

Dimensions



Contact layout



Colour Code

- 1 Brown
- 2 White
- 3 Blue
- 4 Black

Derating Curve (DIN EN 60512-5-2)

