

Energy Management Compact Power Transducer Type CPT-DIN "Basic version"

CARLO GAVAZZI



- RS232 serial port on request
- Alarms (only from serial communication port) V_{LN} , An

- Class 2 (active energy)
- Class 3 (reactive energy)
- Accuracy ± 0.5 F.S. (current/voltage)
- Compact Power transducer
- Instantaneous variables data format: 4 digit
- Energies data format: 8+1 digit
- System variables and phase measurements: W , W_{dmd} , $W_{dmd\ max}$, var, VA, VA_{dmd} , PF, V, A, An, A_{dmd} , A_{max} , $A_{dmd\ max}$, Hz
- Energy measurements: kWh and kvarh
- Hour counter (5+2 DGT)
- TRMS meas. of distorted sine waves (voltages/currents)
- Power supply: 90 to 260VAC/DC and 18 to 60VAC/DC
- Protection degree (front): IP20
- Dimensions: 45x83.5x98.5mm
- RS422/485 serial port

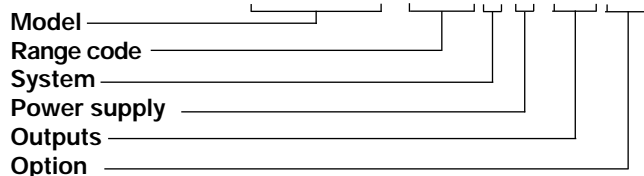
Product Description

3-phase compact power transducer. Particularly recommended for the measurements of the main electrical variables.
Housing for DIN-rail mounting,

protection degree IP20 as standard, and RS485 or RS232 serial port. Parameters programmable by means of CptBSoft.

How to order

CPT-DIN AV5 3 H S1 BX



How to order

CptBSoft-kit

CptBSoft: software to program the working parameters of the transducer and to read the energy and the instantaneous variables. The kit includes the communication cable.

Type Selection

| Range codes | System | Power supply | Outputs |
|---|--|---|---|
| AV5: 400/(690) V_{L-L} /5(6)AAC VL-N: 185 V to 460 V VL-L: 320 V to 800 V AV6: 120/(208) V_{L-L} /5(6)AAC VL-N: 45 V to 145 V VL-L: 78 V to 250 V Phase current: 0.03A to 6A Neutral current: 0.09 to 6A | 3 : 1, 2 or 3-phase, unbalanced and balanced load, with or without neutral 1 : 1-3-phase, balanced load (*) | L: 18 to 60VAC/DC H: 90 to 260VAC/DC (*) Pay attention: the 3-phase measurement is carried out as one current and one phase to neutral voltage measurement. | S1: RS485 port S2: RS232 port Options BX: Basic features |

Input specifications

| | | | |
|---|---|---|--|
| Rated inputs Current Voltage | 3 (current transformers) 4 | Active energy Reactive energy Frequency | 0.03A to 0.25A: $\pm 2\%$ FS +5DGT) Class 2 (I start up: 30mA) Class 3 (I start up: 30mA) ± 0.1 Hz (48 to 62Hz) |
| Accuracy (RS485/RS232) (@25°C $\pm 5^\circ$ C, R.H. $\leq 60\%$) | with CT=1 and VT=1 AV5: 1150W-VA-var, FS:230VLN, 400VLL; AV6: 285W-VA-var, FS: 57VLN, 100VLL | Additional errors Humidity | $\leq 0.3\%$ FS, 60% to 90% RH |
| Current | 0.25 to 6A: $\pm(0.5\%$ FS +1DGT) | Temperature drift | ≤ 200 ppm/ $^\circ$ C |
| Neutral current | 0.03A to 0.25A: $\pm(0.5\%$ FS +7DGT) 0.25 to 6A: $\pm(1.5\%$ FS +1DGT) | Sampling rate | 1400 samples/s @ 50Hz 1700 samples/s @ 60Hz |
| Phase-phase voltage | $\pm(1.5\%$ FS + 1DGT) | Measurement refresh time | 700ms |
| Phase-neutral voltage | $\pm(0.5\%$ FS + 0.1DGT) | Measurement format | Instantaneous variables Energies Hour counter |
| Active and Apparent power, | 0.25 to 6A: $\pm(1\%$ FS +1DGT); 0.03A to 0.25A: $\pm(1\%$ FS+5DGT) | | 4 DGT (Max indication: 9999) 9 DGT (Max indication: 999 999 99.9) |
| Reactive power | 0.25 to 6A: $\pm(2\%$ FS +1DGT); | | 7 DGT (Max. indication: 9 999 9.99) |



Input specifications (cont.)

| | | | |
|------------------------|--|-------------------------------|---|
| Measurements | Current, voltage, power, power factor, frequency, energy, hour counter TRMS measurement of distorted waves. | 400/690V _{L-L} (AV5) | 1 MΩ ±5% |
| | | 120/208V _{L-L} (AV6) | 453 KΩ ±5% |
| Type | Direct < 3, max 10A peak | Current | ≤ 0.02Ω |
| Coupling type | | Frequency | 48 to 62 Hz |
| Crest factor | | Overload protection | (max values) |
| Input impedance | | Continuous voltage/current | AV5: 460V _{LN} , 800V _{LL} /6A AV6: 145V _{LN} , 250V _{LL} /6A |
| | | For 500ms: voltage/current | AV5: 800V _{LN} , 1380V _{LL} /36A AV6: 240V _{LN} , 416V _{LL} /36A |

Serial Port Specifications

| | | | |
|------------------------|---|-------------------------|--|
| RS422/RS485 | Halfduplex communication Multidrop bidirectional (static and dynamic variables) | Baud-rate Insulation | no parity, 1 stop bit 9600 bit/s By means of optocouplers, 2kV _{RMS} output to measuring input. 4kV _{RMS} output to power supply |
| Type | | | |
| Connections | 2 or 4 wires, max. distance 1200m, termination directly on the instrument | RS232 | Halfduplex communication Point to point connection 3-wire, max. distance 15m 1 to 255 selectable via software MODBUS/JBUS (RTU) 9600bits/s other characteristics like R422/RS485 port |
| Addresses | 1 to 255 selectable via software MODBUS/JBUS (RTU) | | |
| Protocol | System, phase variables and energies All configuration parameters 1 start bit, 8 data bit, | Type | |
| Data (bidirectional) | | | |
| Dynamic (reading only) | | Connections | |
| Static (writing only) | | Address | |
| Data format | | Protocol | |
| | | Baud-rate | |

RS232 Configuration Bus

| | | | |
|-------------|---|------------|--|
| Connections | RJ12 (3-wire) for special cable | Insulation | By means of optocouplers, 2kV _{RMS} output to measuring input. 4kV _{RMS} output to power supply |
| Baud-rate | 4800 bits/s | | |
| Data format | 1 start bit, 8 data bit, no parity, 1 stop bit | | |

CptBSoft: parameter programming and reading data software

| | | | |
|-----------------|---|--------------------|---|
| CptBSoft | Multi language software to program the working parameters of the transducer and to read the energies and the instantaneous variables. The program runs under Windows 95/98/98SE/2000/ NT/XP. | Working mode | Two different working modes can be selected: - management of a local RS485 network; - management of communication from a single instrument to PC (RS232); |
| | | Data access | By means of RS232 serial port, RS485 serial port or RS232 configuration port. |

Software functions

| | | | |
|--------------------------|--|---------------|---|
| System selection | 3-ph. with or without N, unbal. 3-phase balanced "1CT + 1VT" 3-phase ARON, unbalanced 2-phase Single phase | Filter action | Measurements, alarms, serial out. (fundamental var: V, A, W and their derived ones). |
| Transformer ratio | CT 1 to 999 VT/PT 1.0 to 99,9 | Alarms | Programmable, for the V _{LNΣ} and An (neutral current). Note: the alarm is only a status transmitted via communication port. |
| Filter | | Reset | Independent alarm (V _{LNΣ} , An) max: A dmd, W dmd all energies (Wh, varh) hour counter |
| Operating range | 0 to 99.9% of the input electrical scale | | |
| Filtering coefficient | 1 to 16 | | |

Power Supply Specifications

| | | | |
|------------------------|-----------------------------------|-------------------|----------------------|
| Auxiliary power supply | 90 to 260VAC/DC 16 to 60VAC/DC | Power consumption | AC: 4.5 VA DC: 4W |
|------------------------|-----------------------------------|-------------------|----------------------|

General Specifications

| | | | |
|--|---|--|---|
| Front LED's Power on Diagnostics | Green Green (TX data) Red (RX data) | EMC Emissions | EN61000-6-3, EN60688 residential environment, commerce and light industry |
| Operating temperature | 0° to +50°C (32° to 122°F) (RH < 90% non condensing) | Immunity | EN61000-6-2 industrial environment. |
| Storage temperature | -10° to +60°C (14° to 140°F) (RH < 90% non condensing) | Pulse voltage (1.2/50µs) | EN61000-4-5 |
| Installation category | Cat. III (IEC 60664, EN60664) | Safety standards | IEC60664, EN60664 |
| Insulation (for 1 minute) | 4kVAC _{RMS} between mesuring inputs and power supply. 2kVAC/DC between mesuring inputs and RS485/RS232/programming port (RJ12) 4kVAC _{RMS} between power supply and RS485/RS232/programming port. | Measurement standards | IEC60688, EN60688 |
| Dielectric strength | 4kVAC _{RMS} (for 1 min) | Approvals | CE, cURus, cCSAus |
| | | Connections 5(6) A Max cable cross sect. area | Screw-type 2.5 mm ² |
| | | Housing Dimensions (WxHxD) Material | 45 x 83.5 x 98.5 mm ABS self-extinguishing: UL 94 V-0 |
| | | Mounting | DIN-rail |
| | | Protection degree | IP20 |
| | | Weight | Approx. 200 g (pack. incl.) |

Measurements available on the communication port

Variables that can be retrasmitted 3-phase system 4-wire connection

| Variables | | | Notes |
|--------------------|-----------------------|------------|---|
| V L1 | V L2 | V L3 | |
| V L12 | V L23 | V L31 | |
| A L1 | A L2 | A L3 | |
| A L1 dmd | A L2 dmd | A L3 dmd | dmd = demand (integration time selectable from 1 to 30 minutes) |
| An | An alarm | | An alarm: neutral current alarm |
| W L1 | W L2 | W L3 | |
| PF L1 | PF L2 | PF L3 | |
| var L1 | var L2 | var L3 | |
| VA L1 | VA L2 | VA L3 | |
| VA system | W system | var system | |
| VA dmd (system) | W dmd (system) | Hz | dmd = demand (integration time selectable from 1 to 30 minutes) |
| W dmd MAX | | | Maximum sys power demand |
| Wh | | | |
| varh | | | |
| V LL system | V _{LN} alarm | PF system | V _{LN} alarm: alarm status if V _{LN} is not within the two set limits. |
| A MAX | | | max. current among the three phases |
| A dmd max | | | max. dmd current among the three phases |
| h | | | working hour counter |



Waveform of the signals that can be measured

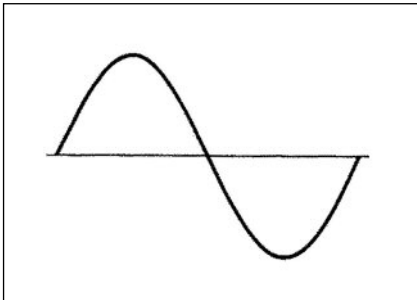


Figure A
Sine wave, undistorted
 Fundamental content 100%
 Harmonic content 0%
 $A_{rms} = 1.1107 | \Delta |$

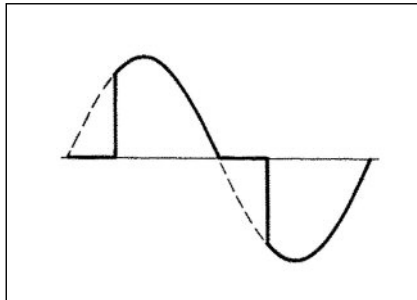


Figure B
Sine wave, indented
 Fundamental content 10...100%
 Harmonic content 0...90%
 Frequency spectrum: 3rd to 16th harmonic
 Additional error: <1% FS

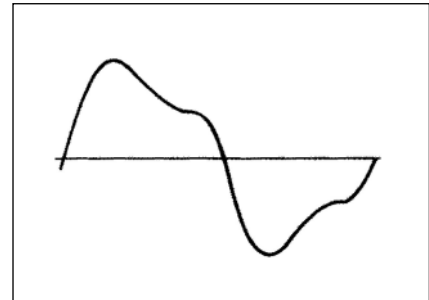
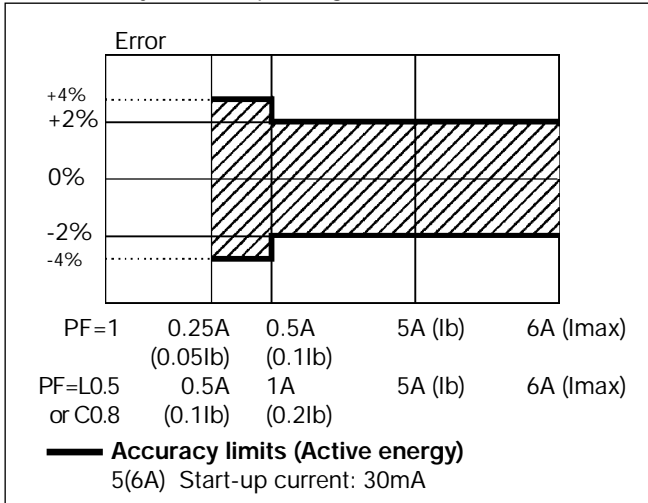


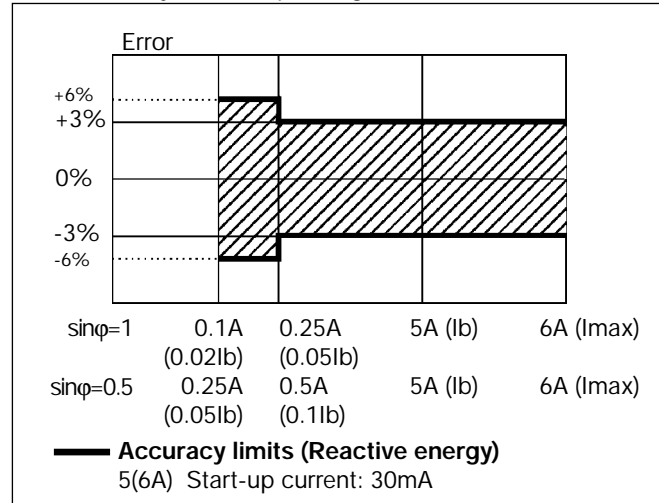
Figure C
Sine wave, distorted
 Fundamental content 70...90%
 Harmonic content 10...30%
 Frequency spectrum: 3rd to 16th harmonic
 Additional error: <0.5% FS

Accuracy

Wh, accuracy (RDG) depending on the current



varh, accuracy (RDG) depending on the current



Used calculation formulas

Phase variables

Instantaneous effective voltage

$$V_{IN} = \sqrt{\frac{1}{n} \cdot \sum_1^n (V_{IN})_i^2}$$

Instantaneous active power

$$W_1 = \frac{1}{n} \cdot \sum_1^n (V_{IN})_i \cdot (A_1)_i$$

Instantaneous power factor

$$\cos\phi_1 = \frac{W_1}{VA_1}$$

Instantaneous effective current

$$A_1 = \sqrt{\frac{1}{n} \cdot \sum_1^n (A_1)_i^2}$$

Instantaneous apparent power

$$VA_1 = V_{IN} \cdot A_1$$

Instantaneous reactive power

$$VAR_1 = \sqrt{(VA_1)^2 - (W_1)^2}$$

System variables

Equivalent three-phase voltage

$$V_{\Sigma} = \frac{V_{12} + V_{23} + V_{31}}{3}$$

Three-phase reactive power

$$VAR_{\Sigma} = (VAR_1 + VAR_2 + VAR_3)$$

Neutral current

$$An = \overline{A_{L1}} + \overline{A_{L2}} + \overline{A_{L3}}$$

Three-phase active power

$$W_{\Sigma} = W_1 + W_2 + W_3$$

Three-phase apparent power

$$VA_{\Sigma} = \sqrt{W_{\Sigma}^2 + VAR_{\Sigma}^2}$$

Three-phase power factor (TPF)

$$\cos\phi_{\Sigma} = \frac{W_{\Sigma}}{VA_{\Sigma}}$$

Energy metering

$$kWh_i = \int_{t_1}^{t_2} P_i(t) dt \approx \Delta t \sum_{n_1}^{n_2} P_{i,n}$$

$$kVarh_i = \int_{t_1}^{t_2} Q_i(t) dt \approx \Delta t \sum_{n_1}^{n_2} Q_{i,n}$$

Where:

i = considered phase (L1, L2 or L3)

P = active power

Q = reactive power

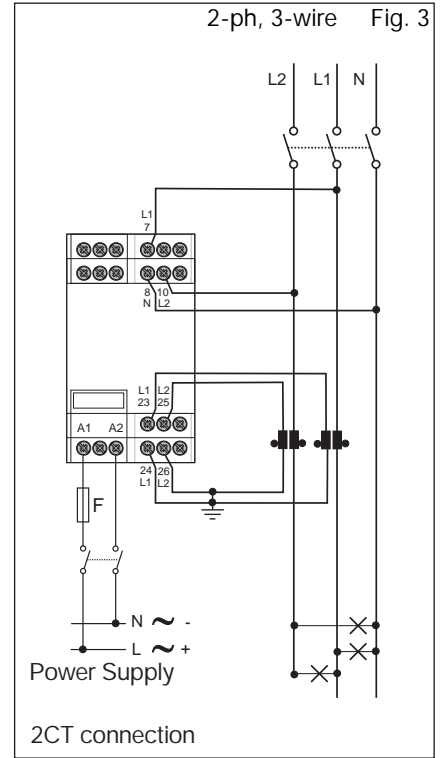
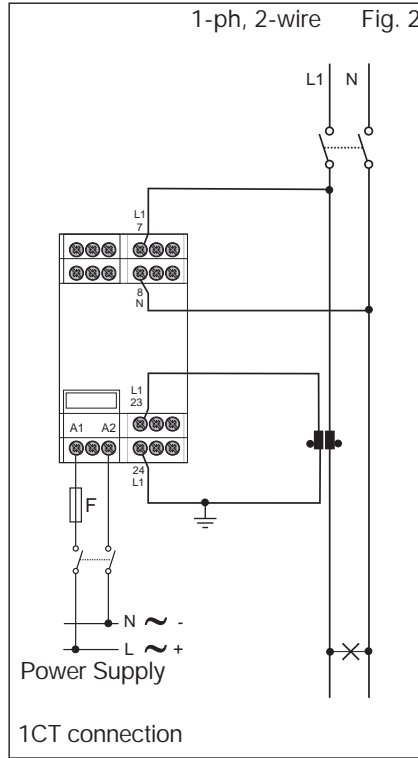
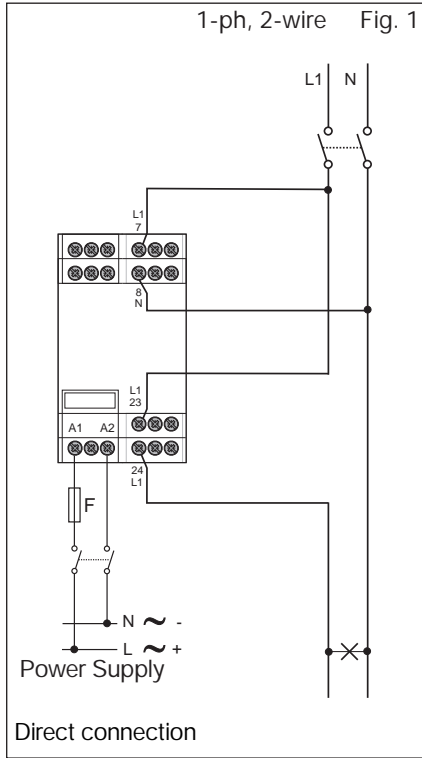
t₁, t₂ = starting and ending time points of consumption recording

n = time unit

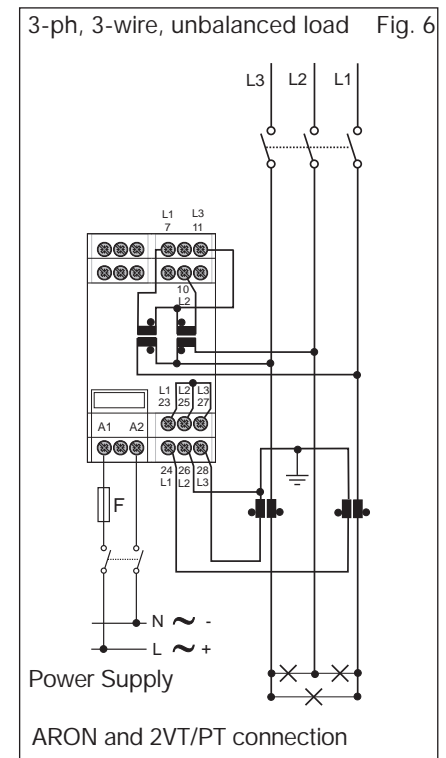
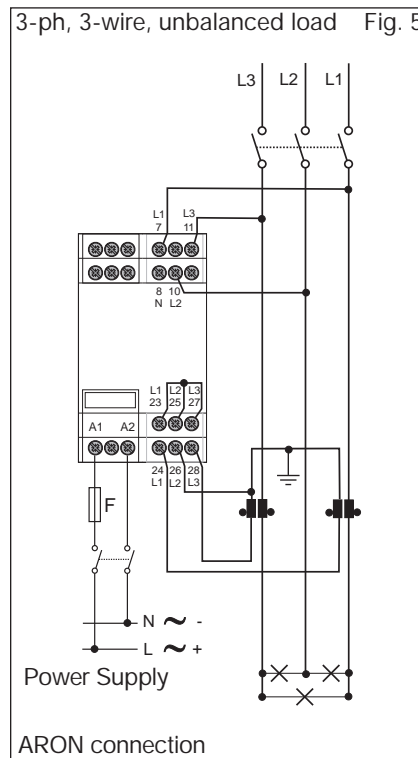
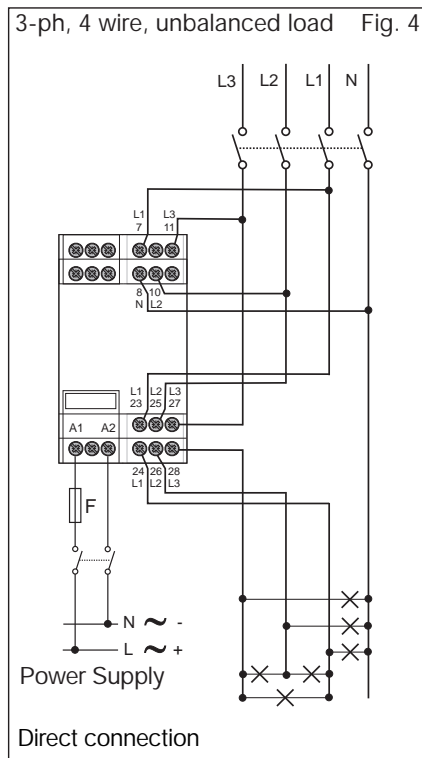
Δt = time interval between two successive power consumptions

n₁, n₂ = starting and ending discrete time points of consumption recording

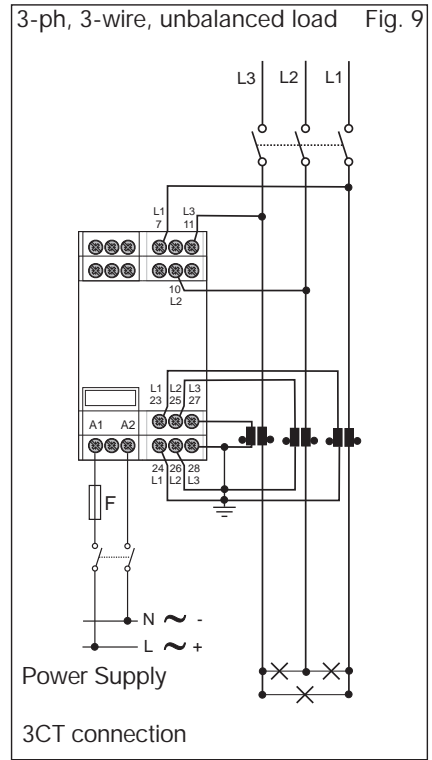
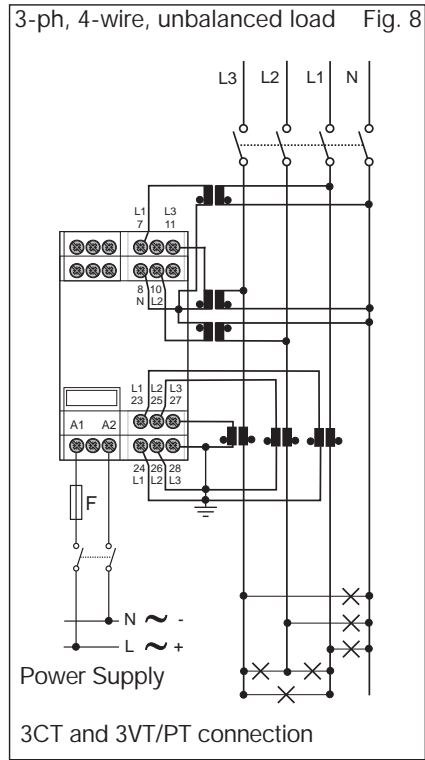
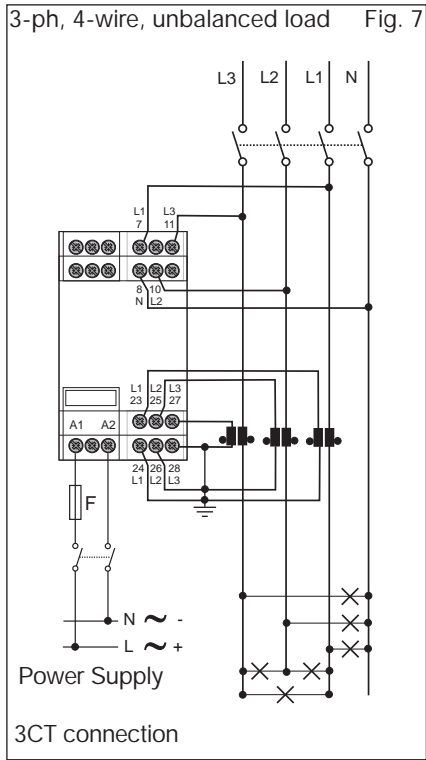
Wiring diagrams "system type selection: 3"



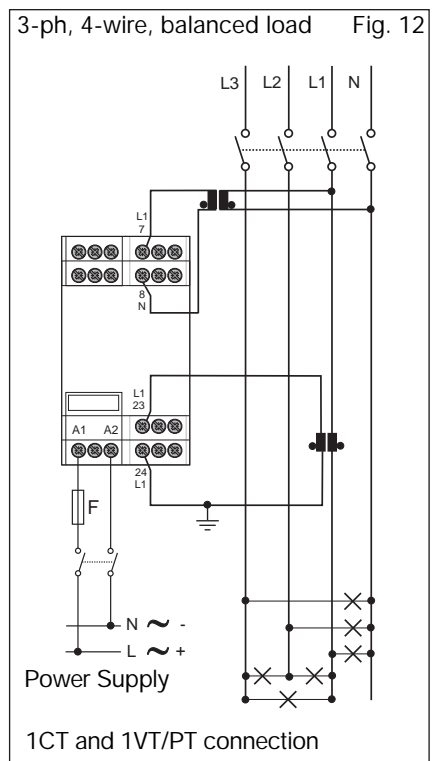
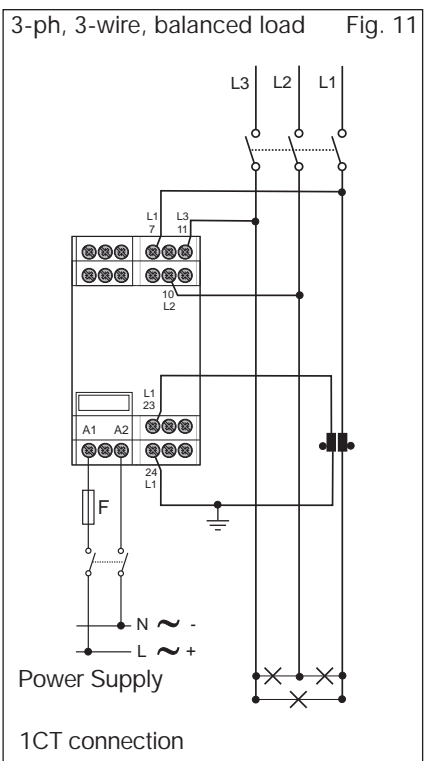
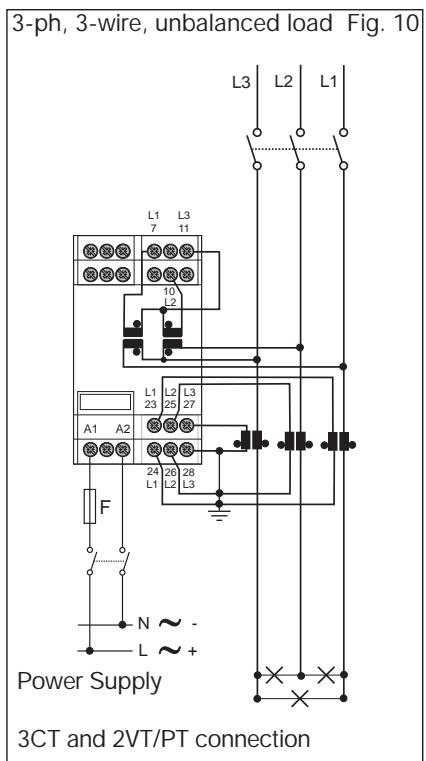
F= 630 mA T (18 to 60VAC/DC)
125 mA T (90 to 260VAC/DC)



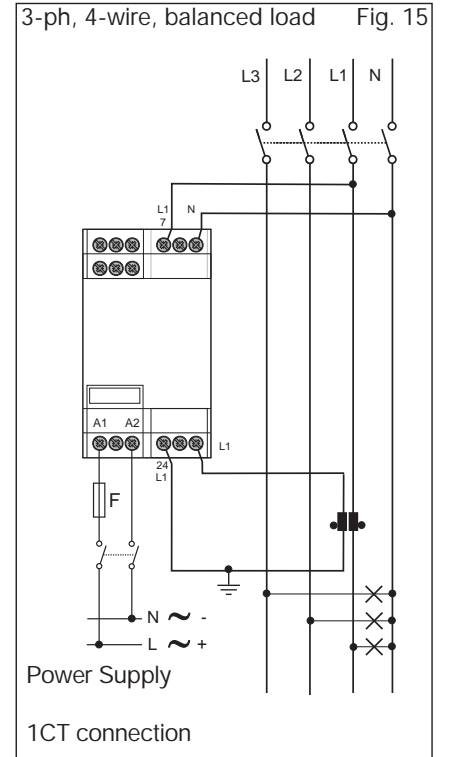
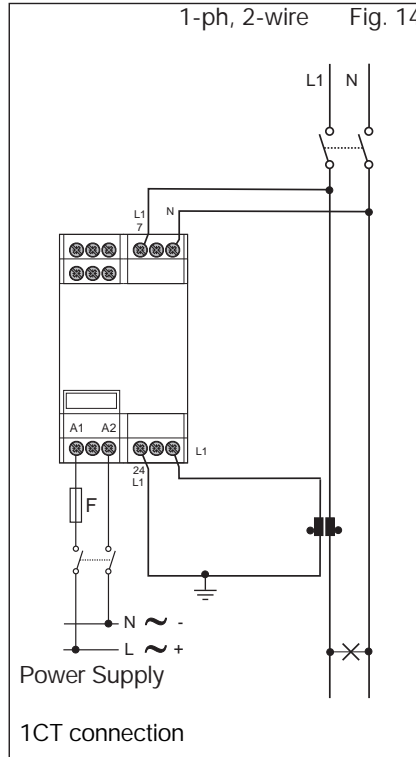
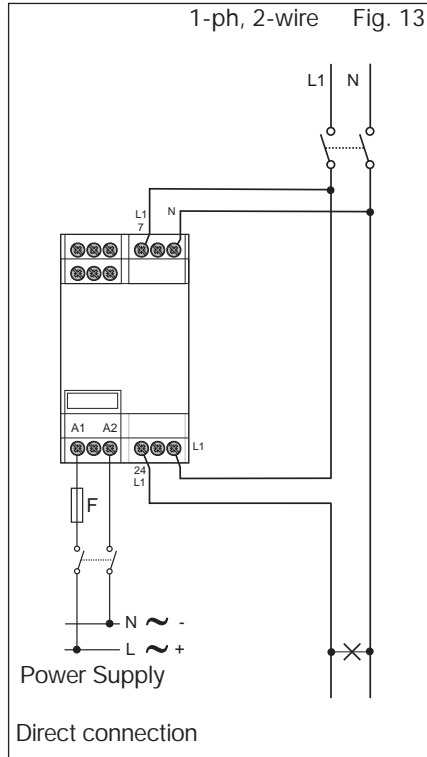
Wiring diagrams "system type selection: 3" (cont.)



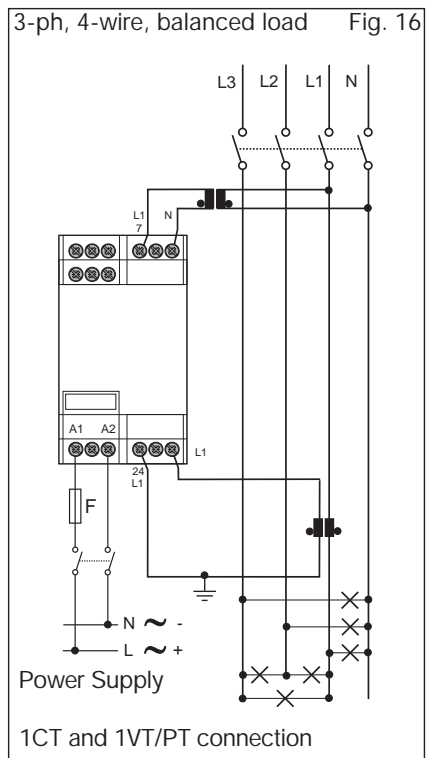
F= 630 mA T (18 to 60VAC/DC)
125 mA T (90 to 260VAC/DC)



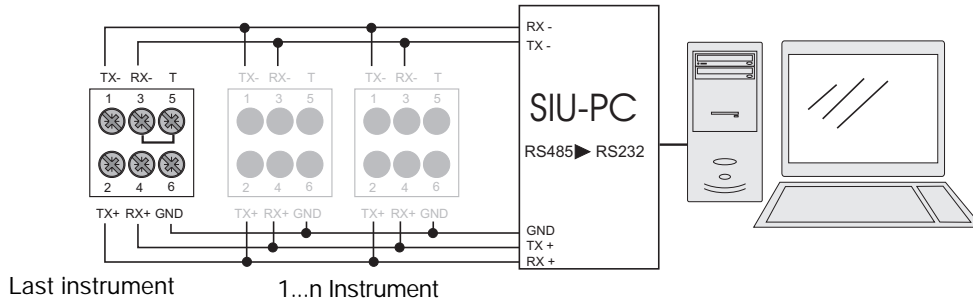
Wiring diagrams "system type selection: 1"



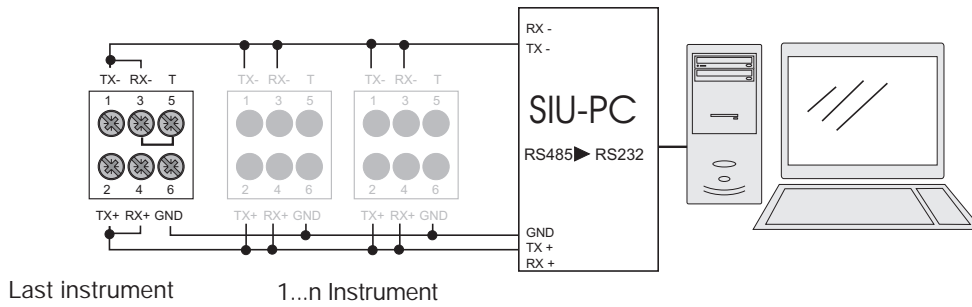
F= 630 mA T (18 to 60VAC/DC)
125 mA T (90 to 260VAC/DC)



RS485 Serial port connection



4-wire connection of RS485 serial port, the terminalization must be carried out only on the last instrument of the network



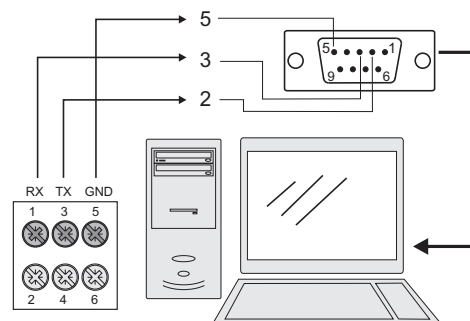
2-wire connection of RS485 serial port, the terminalization must be carried out only on the last instrument of the network

Easy programming

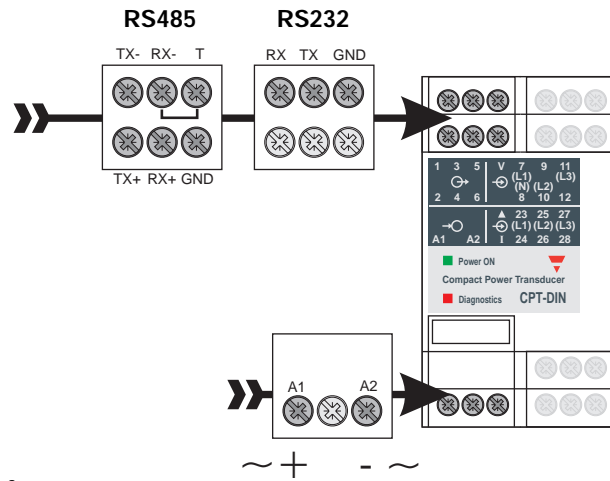


RJ12 communication port for parameters programming. The configuration of the transducer can be easily performed by means of CptBSoft. CptBSoft-kit includes also a connection cable (RJ12 6 pole + RS232 9 pole female).

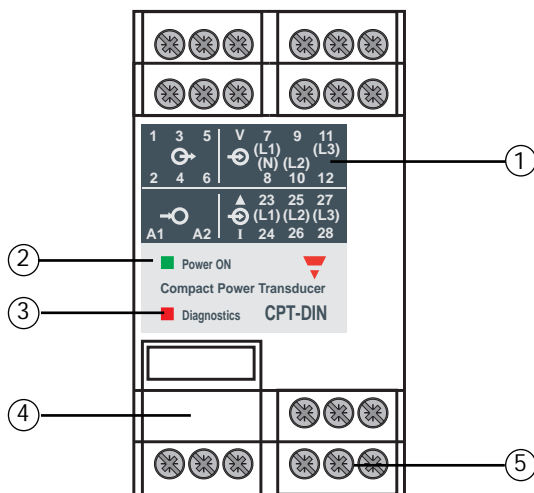
RS232 Serial port connection



Outputs connections



Front Panel Description



1. Front panel
2. Power ON LED
3. Diagnostics LED
4. Configuration bus (RJ12 connector)
5. Connections screw terminals

Dimensions and Panel Cut-out

