

Energy Management Energy Analyzer Type EM271

CARLO GAVAZZI



- Equivalent to Class 1 (kWh) of EN62053-21 (EM271 Base only)
- Equivalent to Class 2 (kvarh) of EN62053-23 (EM271 Base only)
- Equivalent to Class 1 (TCDM split-core current sensors accessory only)
- Virtual meter (sum of two 3-phase or six 1-phase loads)
- Energy meter with 6+1 DGT readout
- Current measurement up to 400 A with external TCDM current transformer accessories
- Single phase variables: V, A, kW
- Total energy measurements: total kWh and kvarh
- Self power supply
- RS485 serial communication port (standard)
- 2 programmable pulsating outputs (optional)
- Fast installation system by:
 - Detachable dual voltage terminal blocks
 - Daisy-chain of max 20 EM271 by dual voltage terminal blocks
 - Detachable serial and pulse outputs terminal blocks
 - RJ11 connection for external TCDM current transformers
- Overall dimensions: 72x72 mm
- Protection degree (front): IP40

Product description

Dual three-phase energy meter with built-in configuration key-pad and LCD data displaying capable to measure the consumed energy (and other electrical parameters) by up to two three-phase loads or by up to six single-phase loads. Housing for both

DIN-rail and panel mounting with IP40 (front) protection degree. The voltage connections are carried out by a couple of detachable terminals so to allow a very fast daisy chain installation of multiple meters. Measurement of the current up to 400

A with external split core current transformer accessories connected by RJ11. Moreover the meter is provided either with two pulsating outputs proportional to the active energy being measured (e.g. one for lighting load and one for power load)

and a serial RS485 port or with a dual serial RS485 port based on detachable terminals for a fast installation. A virtual energy meter can be enabled to provide the total consumptions data of the two 3-phase loads (or of the six 1-phase ones).

How to order

EM271-72D MV5 3 X OS X



Type Selection

Range code	System	Power supply	Outputs
MV5: 230VLN/400VLL AC	3: 3-phase 3-wire, 3-phase 4-wire, or 1-phase 2-wire	X: Self power supply from 40V to 460VAC, 45 to 65Hz	OS: dual static output (opto-mosfet) and serial port
MV6: 120VLN/230VLL AC			
Note: for both the models, the current measurements carried out by the external TCDM current transformers.			2S: dual RS485 serial communication port

Option

- X:** none
N: naked version for panel builders

Note. N option is:

- not including 2 voltage terminal blocks
- not including 2 output terminals blocks (code 2S.N)
- including 2 output terminals blocks (code OS.N)
- including protection cover for voltage terminal
- including mounting brackets and terminal seal covers

Accessories: how to order

EM270-WS V 2T 80

Accessory model _____

Type _____

Terminal/spare part type _____

Cable length _____

Accessories Type Selection

Type	Terminal type	Length
V: Voltage cables	2T: EM270 detachable terminal at both sides	Accessory cable length in cm
S: RS485 cables	1T: EM270 terminal at one side. Available only for voltage cables (V type)	
T: spare terminals	V: set of 20 voltage terminals	
	C: set of 20 voltage protection covers	
	S: set of 20 serial terminals	

Available combinations

EM270 – WS. V.1T.60	EM270 – WS. V.2T.30	EM270 – WS. S.2T.60	EM270 – WS.T.V
EM270 – WS. V.1T.100	EM270 – WS. V.2T.60	EM270 – WS. S.2T.90	EM270 – WS.T.C
EM270 – WS. V.1T.150	EM270 – WS. V.2T.90	EM270 – WS. S.2T.120	EM270 – WS.T.S
EM270 – WS. V.1T.200	EM270 – WS. V.2T.150	EM270 – WS. S.2T.180	
	EM270 – WS. V.2T.200	EM270 – WS. S.2T.230	

Input specification

Rated Input		Reactive power	From 0.02In to 0.05In, within Un range, $\sin(\phi)=1$: $\pm(3\% \text{ RDG} + 2\text{DGT})$ From 0.05In to 0.2In, within Un range, $\sin(\phi)=1$: $\pm(2.5\% \text{ RDG} + 1\text{DGT})$ From 0.2In to Imax, within Un range, $\sin(\phi)=1$: $\pm(2.25\% \text{ RDG} + 1\text{DGT})$ From 0.05In to 0.1In, within Un range, $\sin(\phi)=0.5$ (L or C): $\pm(3.5\% \text{ RDG} + 2\text{DGT})$ From 0.1In to 0.2In, within Un range, $\sin(\phi)=0.5$ (L or C): $\pm(3\% \text{ RDG} + 1\text{DGT})$ From 0.2In to Imax, within Un range, $\sin(\phi)=0.5$ (L or C): $\pm(2.5\% \text{ RDG} + 1\text{DGT})$ kWh: better than the combination of a class 1 of EN62053-21 meter (EM271 base) and class 0.5 of EN60044-1 CTs (TCDM current transformer) considering the whole measurement chain. kvarh: better than the combination of a class 2 of EN62053-23 meter (EM271 base) and class 0.5 of EN60044-1 CTs (TCDM current transformer) considering the whole measurement chain
Current type	Galvanic insulation carried out by means of external TCDM current transformer accessories		0.002In.
Current range	up to 400 A with TCDM current transformers	Energies	
Voltage	230VLN / 400VLL (MV5), 120VLN / 230VLL (MV6)		
Accuracy	The below data considers the whole measuring chain: EM271 base meter and TCDM current transformer		
(Display, serial communication) (@25°C $\pm 5^\circ\text{C}$, R.H. $\leq 60\%$, 45 to 65 Hz)			
Current range	In: 60A, 100A, 200A and 400A (TCDM primary current) Imax: 1.2In From 0.02In to 0.05In: $\pm(1.25\% \text{ RDG} + 3\text{DGT})$ From 0.05In to 0.2In: $\pm(1\% \text{ RDG} + 2\text{DGT})$ From 0.2In to Imax: $\pm(0.75\% \text{ RDG} + 1\text{DGT})$		
Current			
Voltage range			
MV5 range	Un: 160 to 240VLN (277 to 415VLL)		
MV6 range	Un: 57.7 to 133VLN (100 to 230VLL)		
Phase-neutral voltage	In the range Un: $\pm(0,5\% \text{ RDG} + 1\text{DGT})$		
Phase-phase voltage	In the range Un: $\pm(1\% \text{ RDG} + 1\text{DGT})$		
Frequency	Range: 45 to 65Hz. Resolution: 1Hz		
Active power	From 0.02In to 0.05In, within Un range, PF=1: $\pm(2\% \text{ RDG} + 2\text{DGT})$ From 0.05In to 0.2In, within Un range, PF=1: $\pm(1.5\% \text{ RDG} + 1\text{DGT})$ From 0.2In to Imax, within Un range, PF=1: $\pm(1.25\% \text{ RDG} + 1\text{DGT})$ From 0.05In to 0.1In, within Un range, PF=0.5L to 0.8C: $\pm(2.5\% \text{ RDG} + 2\text{DGT})$ From 0.1In to 0.2In, within Un range, PF=0.5L to 0.8C: $\pm(2\% \text{ RDG} + 1\text{DGT})$ From 0.2In to Imax, within Un range, PF=0.5L to 0.8C: $\pm(1.5\% \text{ RDG} + 1\text{DGT})$		
		Start-up current	
		Temperature drift	$\leq 200\text{ppm}/^\circ\text{C}$
		Sampling rate	1600 samples/s @ 50Hz; 1900 samples/s @ 60Hz
		Display	2 lines (1 x 7-DGT + 1 x 3-DGT) LCD, h 7 mm
		Type	
		Instantaneous variables readout	3-DGT (Power: 3-DGT, currents: 3-DGT)
		Energies	Imported Total: 6+1DGT
		Overload status	EEE indication when the value being measured is exceeding the "Continuous inputs overload" (maximum measurement capacity)
		Max. and Min. indication	Max. instantaneous variables: 999; energies: 9 999 999. Min. instantaneous variables: 0; energies 0.0
		Refresh time	1 second

Input specification (cont.)

LEDs	Red LED (Energy consumption only, relevant to the sum of the consumption of any load connected to the meter, 1 imp./kWh according to EN50470-1. Green LED for Power-on (steady) and communication status: RX-TX (blinking in case of RS485 option only).	Crest factor	1.414 @ I _{max} (I _{max} =1.2 I _n = 0.4V). In any case: V _{peak} max = 0.565V
Measurements	See "List of the variables that can be connected to:"	Voltage Overloads	1.2 U _n 2 U _n (except power supply terminals)
Method	TRMS measurements of distorted wave forms.	Voltage input impedance	Power Consumption: < 4VA / 2W
Coupling type	By means of the external current transformer accessories.	Frequency	45 to 65 Hz
		Keypad	2 pushbuttons for variable selection and programming of the digital output parameters

Output specifications

Pulse output		Termination	Termination by using a proper jumper in the terminal block.
Number of outputs	2, Programmable from 0.01 to 9.99 kWh per pulse.	Addresses	247, selectable by means of the front keypad
Type	Output connectable to the energy meters (kWh) (PuL1 connected to TCDM1 and Pul2 connected to TCDM2).	Protocol	MODBUS/JBUS (RTU)
Connection type	Detachable screw terminal connectors	Data (bidirectional)	System and phase variables: see table "List of the variables that can be connected to:".
Pulse duration	Selectable, 40ms or 100ms (ON), according to EN62052-31. Static: opto-mosfet	Dynamic (reading only)	All the configuration parameters.
Output Load	V _{ON} 2.5 V _{AC/DC} , max. 70 mA	Static (reading and writing)	1 start bit, 8 data bit, no or even parity, 1 stop bit
Insulation	V _{OFF} 40 V _{AC/DC} , max. 4kVp/2,5kVAC output to measuring inputs.	Data format	9.6, 19.2, 38.4 kbaud
RS485		Baud-rate	1/5 unit load. Maximum 160 transceivers on the same bus.
Type	Multidrop, bidirectional (static and dynamic variables)	Driver input capability	By means of opto-couplers, 4kVp/2,5kVAC output to measuring input.
Connections	2-wire max. distance 1000m	Insulation	
Connection type	Detachable screw terminal connectors		

Software functions

Password	Numeric code of max. 3 digits; 2 protection levels of the programming data: Password "0", no protection; 2nd level Password from "1" to "999", all data are protected Programming (by keypad or serial commands) is not possible with the lock knob located behind the display unit is on lock position	dependent from the current direction (if negative, A, P, Q are shown with the "-" sign). The displayed energy values are only relevant to the "imported" energies.
1st level		
2nd level		
Lock knob		
System selection		
System 3P/1.3P	3-phase (3- or 4-wire) supply. Management of one 3-phase load.	Transformer ratio VT (PT) ratio 1.0 to 99.9 / 100 to 999 (999 is internally considered 1000) Auto-detection of the primary current of the TCDM current transformer. The 2 TCDM' can have a different primary current. The maximum value of the VT is limited to grant the measurement of the Max possible power (210MW). The below table "Max VT(PT) ratio" list the max VT values. In case of programming a VT or a current primary value which exceed this limit, an error message appears for 2s, then the previous value is displayed again. An exception is sent via Modbus in case of wrong VT value set via serial communication.
System 3P/2.3P	3-phase (3- or 4-wire) supply. Management of two 3-phase loads.	
System 3P/3.1P	3-phase (3- or 4-wire) supply. Management of three 1-phase loads.	
System 3P/6.1P	3-phase (3- or 4-wire) supply. Management of six 1-phase loads.	
System 1P/3.1P	1-phase (2-wire) supply. Management of three 1-phase loads.	
System 1P/6.1P	1-phase (2-wire) supply. Management of six 1-phase loads.	
Function selection		
Function SUM	ON: each single system and total data (A, W, kWh) available. OFF: each single system data available without total data	
Easy connection Function (EC)	ON: measurement independent on current direction. OFF: measurement dependent on current direction (default). When NOT active, energies (kWh and kvarh) and power (kW) measurements are	
		Max VT (PT) ratio MV5 and MV6 models See relevant table
		Integration time For dmd power calculation Selectable, from 1 to 60 min
		Displaying Up to 3 variables per page. See «Display pages»
		Reset By means of the front keypad: - total energies (function SUM on): kWh and kvarh - partial energies: single load energy (kWh and kvarh) and demanded power (Wdmd) - Max demand (Md) of active and apparent power.

Max VT (PT) ratio according to the current sensors range

TCDA1 \ TCDA2	60		100		200		400	
	MV5	MV6	MV5	MV6	MV5	MV6	MV5	MV6
60	999	999	999	999	764	999	432	744
100	999	999	994	999	662	999	397	684
200	764	999	662	999	497	855	331	570
400	432	744	397	684	331	570	248	427
NO TCD	999	999	999	999	999	999	999	999

General specifications

Operating temperature	Operating temperature -25 to +55°C (-13°F to +131°F) (R.H. from 0 to 90% non-condensing @ 40°C) according to EN62052-11	Standard compliance Safety	IEC60664, EN60664, IEC61010-1, EN61010-1 EN62052-11, EN50470-1 DIN43864, IEC62053-31
Storage temperature	-30 to +70°C (-22°F to +158°F) (R.H. < 90% non-condensing @ 40°C) according to EN62052-11	Pulse output	
Overvoltage category	Cat. III (IEC 60664, EN60664)	Approvals	CE, UL
Dielectric strength	4000VAC RMS for 1 minute (all terminals to front panel)	Connections Voltage	Detachable dual screw terminals. Max wire cross section 1.5 mm ² (14 AWG). Min./max. screws tightening torque: 0.2/0.25 Nm
Noise rejection CMRR	100 dB, 48 to 62 Hz	Current inputs	2x RJ11 (female) for current connections
EMC Electrostatic discharges	According to EN62052-11 and EN50470-1 (E2) 15kV air discharge, 8kV contact discharge;	Outputs (pulse and RS485 port)	Detachable screw terminals. Max wire cross section 1.5 mm ² (14 AWG). Min./max. screws tightening torque: 0.2/0.25 Nm.
Immunity to irradiated electromagnetic fields	Test with current: 10V/m from 80 to 2000MHz Test without any current: 30V/m from 80 to 2000MHz;	Housing Dimensions (WxHxD)	72 x 72 x 65 mm
Burst	On current (TCDM primary) and voltage measuring inputs circuit: 4kV	Material	Noryl, self-extinguishing: UL 94 V-0
Immunity to conducted disturbances	10V/m from 150kHz to 80Mhz	Mounting	DIN-rail or Panel mounting
Surge	On current (TCDM primary) and voltage measuring inputs circuit: 4kV;	Protection degree Front	IP40
Radio frequency suppression	According to CISPR 22	Screw terminals	IP20
		Weight	Approx. 400g (packing included)

Accessories specifications

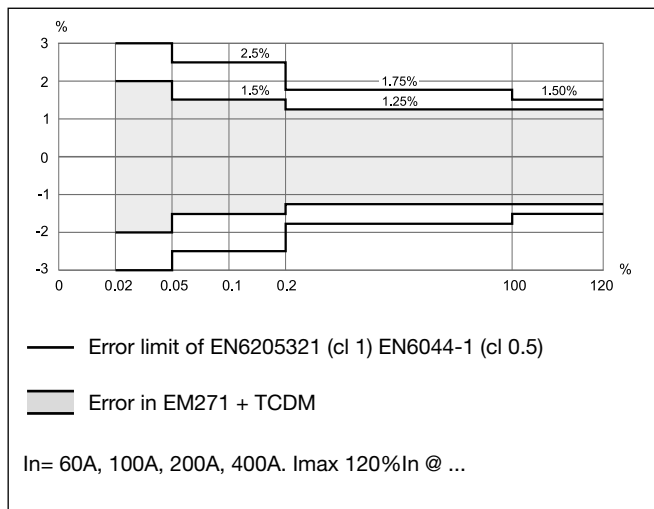
Voltage cables Terminals	4 x 1 mm ² , 450/750 V max One (1T) or two (2T) EM271 detachable terminals 4 spare ferrules included in the bag.	Terminals	Two EM271 detachable terminals
Serial cables	Total double shielding multipair cable with bootlace ferrules	Pairs and section	2x2xAWG22
		Single conductor type	ST 11x0.20
		Dielectric	PVCR2, 1.40 mm
		Max. resistivity	56 ohm/km
		Capacity	C1 100 pF/m; C2 165 pF/m
		Approvals	CE

Power supply specifications

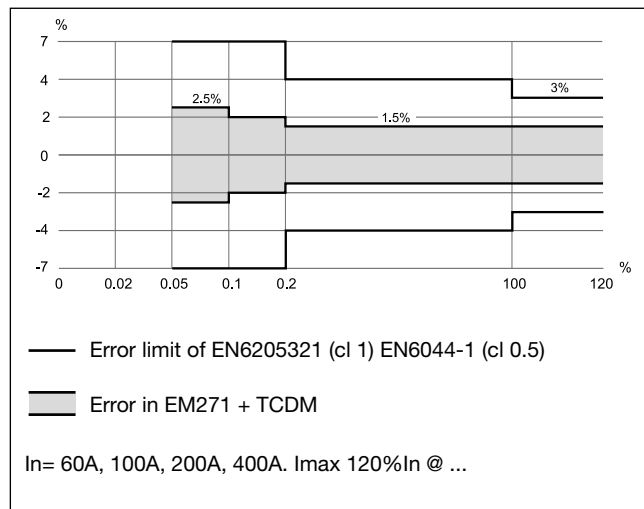
Self supplied version	From 40V to 460VAC, 45 to 65Hz, between L2 and L3 (in case of 1-phase supply N is connected to L2, L to L3)	Power consumption	≤4VA/2W
------------------------------	---	--------------------------	---------

Accuracy

kWh, PF=1, compared with a cl 1 meter EN62053-2 plus a cl 0.5 CT EN60044-1



kvarh, PF=1, compared with a cl 1 meter EN62053-23 plus a cl 0.5 CT EN60044-1



Used calculation formulas

Phase variables

Instantaneous effective current

$$A_1 = \sqrt{\frac{1}{n} \cdot \sum_1^n (A_1)_i^2}$$

Instantaneous apparent power

$$VA_1 = V_{1N} \cdot A_1$$

Instantaneous reactive power

$$\text{var}_1 = \sqrt{(VA_1)^2 - (W_1)^2}$$

System variables

Three-phase reactive power

$$\text{var}_\Sigma = (\text{var}_1 + \text{var}_2 + \text{var}_3)$$

Three-phase active power

$$W_\Sigma = W_1 + W_2 + W_3$$

Three-phase apparent power

$$VA_\Sigma = \sqrt{W_\Sigma^2 + \text{var}_\Sigma^2}$$

Three-phase power factor

$$\cos\varphi_\Sigma = \frac{W_\Sigma}{VA_\Sigma}$$

Energy metering

$$k \text{ var hi} = \int_{t_1}^{t_2} Qi(t) dt \cong \Delta t \sum_{n_1}^{n_2} Qnj$$

Where:

i= considered phase (L1, L2 or L3)
P= active power; **Q**= reactive power;
t1, t2=starting and ending time points of consumption recording; **n**= time unit; **Δt**= time interval between two successive power consumptions;
n1, n2 = starting and ending discrete time points of consumption recording

List of the variables that can be connected to:

RS485 communication port

All the variables listed in the "Display pages" table, when available (according to the selected system), can be read via serial communication

Pulse outputs

Pulse out 1

Pulse out 2

kWh load 1 (3-phase load 1 or sum of 1-phase loads 1, 2, 3)
kWh load 2 (3-phase load 2 or sum of 1-phase loads 4, 5, 6)

Display pages

No	A (1st line)	B (1st line)	(2nd line)	SYS 1.3P	SYS 2.3P	SYS 3.1P	SYS 6.1P	SYS 1P.3.1P	SYS 1P.6.1P	Note
1	kWh		kW (Σ)		S	S	S	S	S	Σ = Total
2	dMd		kW (Σ)		S	S	S	S	S	Σ = Total, dMd = dmd
3	Pd		kW (Σ)		S	S	S	S	S	Σ = Total, Pd = maximum (peak) demand
4	A L1 (Σ)	A L2 (Σ)	A L3 (Σ)		S	S	S			Σ (Total) single phase currents
5	kvarh		kvar (Σ)		S	S	S	S	S	Σ = Total
6	dMd		kVA (Σ)		S	S	S	S	S	Σ = Total, demand = dmd
7	Pd		kVA (Σ)		S	S	S	S	S	Σ = Total, Pd = maximum (peak) demand
8a	kWh (Load A1)		kW (Load A1)	X	X					
8b	kWh (Load A1)		L1			X	X	X	X	Relevant to 1-ph load 1
8c	kWh (Load A1)		L2			X	X	X	X	Relevant to 1-ph load 2
8d	kWh (Load A1)		L3			X	X	X	X	Relevant to 1-ph load 3
8e	kW L1(Load A1)	kW L2	kW L3			X	X	X	X	Relevant to 1-ph load 1, 2, 3
9a	dMd (Load A1)		kW (Load A1)	X	X					
9b	dMd L1 (Load A1)		kW (Load A1 L1)			X	X	X	X	Relevant to 1-ph load 1
9c	dMd L2 (Load A1)		kW (Load A1 L2)			X	X	X	X	Relevant to 1-ph load 2
9d	dMd L3 (Load A1)		kW (Load A1 L3)			X	X	X	X	Relevant to 1-ph load 3
10a	Pd (Load A1)		kW (Load A1)	X	X					Md = maximum demand
10b	Pd L1 (Load A1)		kW (Load A1 L1)			X	X	X	X	Relevant to 1-ph load 1
10c	Pd L2 (Load A1)		kW (Load A1 L2)			X	X	X	X	Relevant to 1-ph load 2
10d	Pd L3 (Load A1)		kW (Load A1 L3)			X	X	X	X	Relevant to 1-ph load 3
11	A L1 (Load A1)	A L2 (Load A1)	A L3 (Load A1)	X	X	X	X	X	X	In case of system 3P: load 1 single phase currents. In case of system 1P AL1 is the current of 1-ph load 1, AL2 of load 2, AL3 of load 3.
12	kvarh (Load A1)		kvar (Load A1)	X	X					
13	dMd (Load A1)		kVA (Load A1)	X	X					
14	Pd (Load A1)		kVA (Load A1)	X	X					Pd = maximum (peak) demand
15a	kWh (Load A2)		kW (Load A2)		X					

Display pages (cont.)

No	A (1st line)	B (1st line)	(2nd line)	SYS 1.3P	SYS 2.3P	SYS 3.1P	SYS 6.1P	SYS 1P.3.1P	SYS 1P.6.1P	Note
15b	kWh (Load A2)		L1				X		X	Relevant to 1-ph load 4
15c	kWh (Load A2)		L2				X		X	Relevant to 1-ph load 5
15d	kWh (Load A2)		L3				X		X	Relevant to 1-ph load 6
15e	kW L1(Load A2)	kW L2	kW L3				X		X	Relevant to 1-ph load 4, 5, 6
16a	dMd (Load A2)		kW (Load A2)		X					
16b	dMd L1 (Load A2)		kW (Load A2 L1)				X		X	Relevant to 1-ph load 4
16c	dMd L2 (Load A2)		kW (Load A2 L2)				X		X	Relevant to 1-ph load 5
16d	dMd L3 (Load A2)		kW (Load A2 L3)				X		X	Relevant to 1-ph load 6
17a	Pd (Load A2)		kW (Load A2)		X					Pd= maximum demand
17b	Pd L1 (Load A2)		kW (Load A2 L1)				X		X	Relevant to 1-ph load 4
17c	Pd L2 (Load A2)		kW (Load A2 L2)				X		X	Relevant to 1-ph load 5
17d	Pd L3 (Load A2)		kW (Load A2 L3)				X		X	Relevant to 1-ph load 6
18	A L1 (Load A2)	A L2 (Load A2)	A L3 (Load A2)		X		X		X	In case of system 2.3P: Load 2 single phase currents. In case of system 6.1P AL1 is the current of 1-ph load 4, AL2 of load 5, AL3 of load 6.
19	kvarh (Load A2)		kvar (Load A2)		X					
20	dMd (Load A2)		kVA (Load A2)		X					
21	Pd (Load A2)		kVA (Load A2)		X					Pd = max. demand
22	V L1N (L1)	V L2N (L2)	V L3N (L3)	X	X	X	X	X(*)	X(*)	(*) = VLn value
23	V12 (L1)	V23 (L2)	V31 (L3+triangle)	X	X					
24	kW (LoadA1)	kW (Load A2)	kW (Σ)		S		S		S	In case of system 6.1P load 1 is the sum of 1-ph loads 1, 2, 3 and load 2 is the sum of 1-ph loads 4, 5, 6.

Note: whatever page the user has selected, after 120s it goes back to page 1 (if available, otherwise page 8).

X: available;

S: available only if SUM function is ON;

Empty: not available.

Additional available information on the display

Type	1st line	2nd line	Note
Meter information 1	Y. 2014	r.A0	Year of production and firmware release
Meter information 2	PuL_LEd (kWh)	[value]	kWh per pulses of the LED
Meter information 3	SYS [2.3P]		1.3P, 2.3P, 3.1P, 6.1P
Meter information 4	Ut rat.	TCDM	Voltage transformer ratio
Meter information 5	Ct Prin load1	[value]	Current transformer primary value (load1)
Meter information 6	Ct Prin load2	[value]	Current transformer primary value (load2)
Meter information 7*	PuL 1 (kWh)	[value]	Pulse output: kWh per pulse Load A1
Meter information 8*	PuL 2 (kWh)	[value]	Pulse output: kWh per pulse Load A2
Meter information 9	AddrESS	[value]	Serial communication address
Md reset	rESEtuP	no/YES	Reset of maximum demand

(*) = in case of digital pulse output model

Display resolution

Variable	Resolution	Range	
		From	To
Active and Apparent Power	0.1 W 1 W 0.01 kW 0.1 kW 1 kW	0.1 W 1 W 1.00 kW 10.0 kW 100 kW	99.9 W 999 W 9.99 kW 99.9 kW 999 kW
Energy (kWh and kvarh)	0.1 kWh / kvarh 1 kWh / kvarh	0.1 kWh 1 000 000 kWh	999 999.9 kWh 9 999 999 kWh
Voltage	1 V	1 V	999 V
Current	0.01 A 0.1 A 1 A	0.01 A 10.0 A 1A	9.99 A 99.9 A 999 A

Error message management

Description	Display message
1st load TCDM not connected	[load 1] MISSInG TCDM
2nd load TCDM enabled (systems 2.3P or 6.1P) but not connected	[load 2] MISSInG TCDM
1st and 2nd loads TCDM not connected	[load 1] [load 2] MISSInG TCDM
Over-range condition of the measuring inputs (voltage and current)	E E E

List of available menus

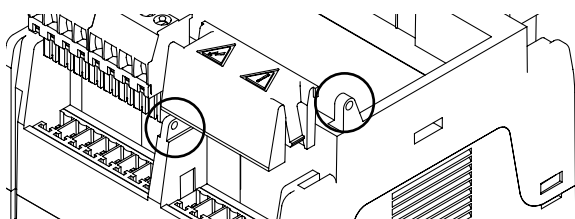
Always available		Selection	Default setting
PASS ?	Password	From 0 to 999	0
PASS ? (100)	“rESEt UP” Reset of the max value of Wdmd and VAdmd (only for Total)	no / YES	No
CnG¬_PASS	New Password	From 0 to 999	0
SYS	3-phase (3- or 4-wire). Management of one 3-phase load.	1.3P	1.3P
	3-phase (3- or 4-wire). Management of two 3-phase loads.	2.3P	
	1-phase (2-wire). Management of three 1-phase load.	3.1P	
	1-phase (2-wire). Management of six 1-phase loads.	6.1P	
SuM (**)	SUM function	On/OFF	On
EC (***)	Easy connection function	On/OFF	OFF
P.int ti	Integration time for “dmd” power calculation	From 1 to 60 min	15
Ut	VT ratio	1.0 to 99.9 / 100 to 999	1.0
PuL 1 (*)	Number of kWh per pulse Load A1	From 0.01 to 9.99	0.1
PuL 2 (*) (**)	Number of kWh per pulse Load A2	From 0.01 to 9.99	0.1
t.on (*)	TON time (milliseconds) (digital output)	40 or 100ms	100
AddrESS	Modbus address of the instrument	From 1 to 247	1
bAud	Modbus baud rate	9.6, 19.2, 38.4 kbps	9.6
PARtY	Modbus parity	No, EvEn	No
EnE PA.rE	Reset of the Load A1 and Load A2 energies (6 load in 1-phase system)	no / YES	No
EnE to.rE	Reset of the total energy	no / YES	No

(*) = in case of digital pulse output, only 3-phase systems. In 1-phase system the pulse is relevant to the sum of the first three and second three 1-phase loads.

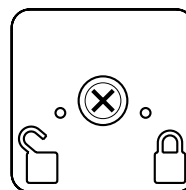
(**) = not present in case of 1.3P

(***) = in case of Easy connection disabled and imported power: A, kW are to be shown with negative sign; only kWh is not integrated; the negative instantaneous contribution to Wdmd calculation is not considered. In all the cases kvar is displayed with the actual sign.

Tamper proof capability

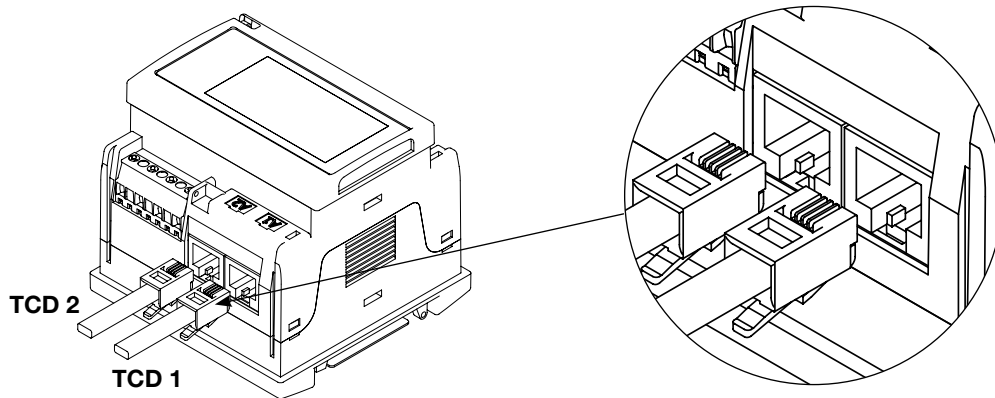


Position of the seals

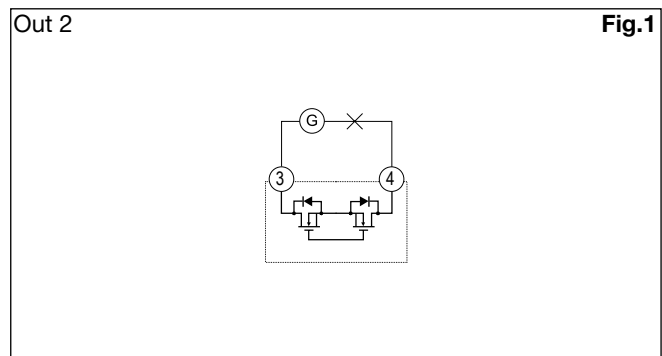
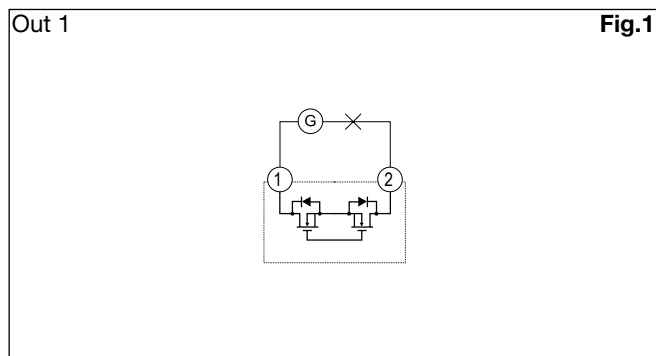


Rear view of the detached display unit with highlight of the programming lock.

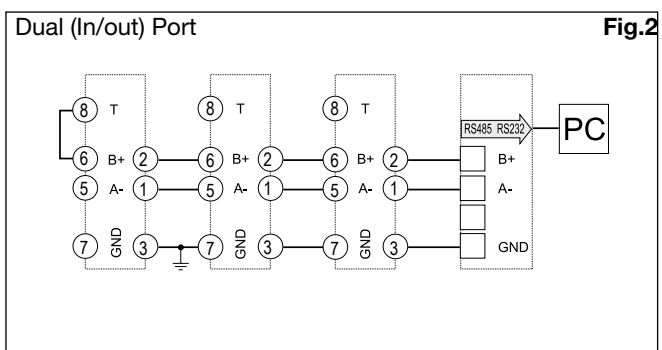
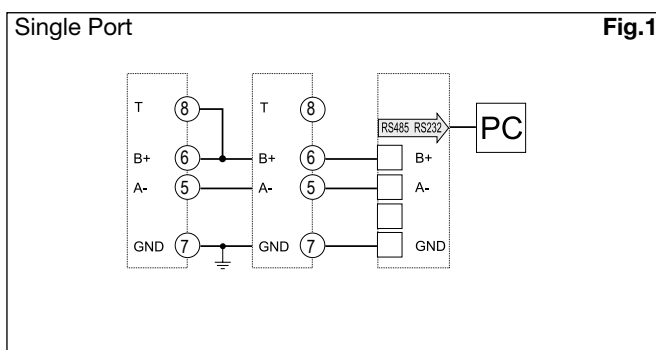
TCDM current transformer connections



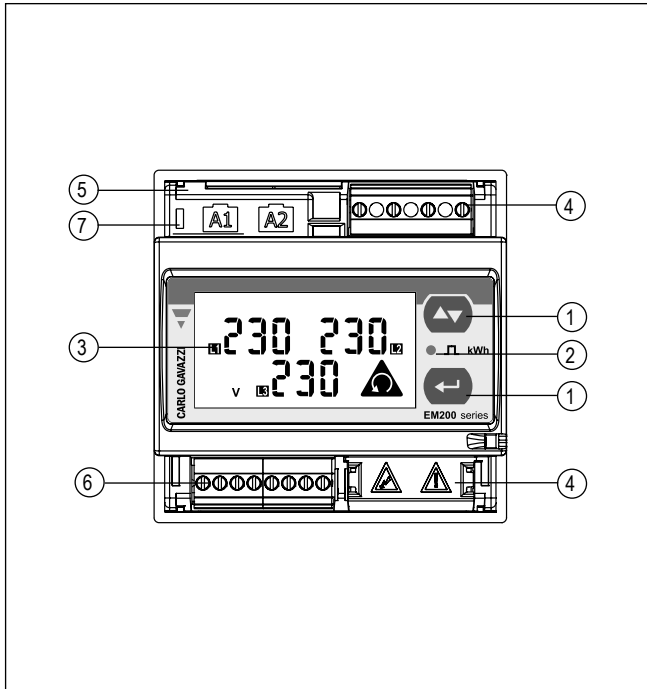
Static output connections



RS485 Serial Port



Front panel description



1. Keypad

2 push-buttons to program the configuration parameters and scroll the variables on the display

2. LED

Red LED blinking proportional to the total active energy being measured (Total= Load A1 + Load A2).

3. Display

LCD-type with alphanumeric indications to:
- display configuration parameters;
- display all the measured variables.

4. Detachable voltage screw terminals

Detachable screw terminal blocks for voltage wiring.
NOTE: max 20 EM271 connected in cascade. No other loads can be connected to voltage terminals.

5. Current RJ11 connectors

RJ11 connectors (female) for quick connection to up to two CT accessories.

6. RS485 or pulse screw terminals

Detachable screw terminal blocks for quick connection in daisy chain of the serial RS485 line or for connection if the 2 independent pulse output.

7. Power-On LED

Green LED lit when power supply is available.

Dimensions and panel cut-out (mm)

