

Receiver for Digital Signals

Types G 3430 1149, G 3430 2249, G 3430 4443



- 1-, 2- or 4-channel receiver
- Galvanically separated SPDT or SPST relay outputs
- Load: 1 x 10 A/250 VAC
2 x 10 A/250 VAC
4 x 5 A/250 VAC
- H4-housing
- For mounting on DIN-rail (EN 50022)
- LED-indications for supply, outputs and Dupline® carrier
- AC or DC power supply
- Channel coding by GAP 1605 (see the data sheet on GAP 1605 for details)

Product Description

Dupline® receiver. SPDT relay outputs for control of 1 or 2 loads of up to 250 VAC/10 A or SPST relay outputs for control of 4 loads of up to 250 VAC/5 A.

Ordering Key

G 3430 4443 024

Type: Dupline® _____
 H4-housing _____
 Receiver _____
 No. of channels _____
 Output type _____
 Power supply _____

Type Selection

Supply	Ordering no. 1 channel 10 A/250 VAC	Ordering no. 2 channels 10 A/250 VAC	Ordering no. 4 channels 5 A/250 VAC
24 VAC	G 3430 1149 024	G 3430 2249 024	G 3430 4443 024
115 VAC	G 3430 1149 115	G 3430 2249 115	G 3430 4443 115
230 VAC	G 3430 1149 230	G 3430 2249 230	G 3430 4443 230
10 to 30 VDC	G 3430 1149 800		
15 to 30 VDC		G 3430 2249 824	G 3430 4443 824

Output Specifications

	G 3430 1149 ... (1 channel)	G 3430 2249 ... (2 channels)	G 3430 4443 ... (4 channels)
Outputs	1 SPDT relay	2 SPDT relays	4 SPST relays
Isolated in groups of	1 x 1	2 x 1	4 x 1
Contact ratings (AgCdO)	μ (micro gap)	μ (micro gap)	μ (micro gap)
Resistive loads	AC 1 10 A/250 VAC (2500 VA) DC 1 1 A/250 VDC (250 W) or 10 A/25 VDC (250 W)	10 A/250 VAC (2500 VA) 1 A/250 VDC (250 W) 10 A/25 VDC (250 W)	5 A/250 VAC (1250 VA) 0.25 A/250 VDC (62 W) 5 A/25 VDC (125 W)
Inductive loads	AC 15 2.5 A/230 VAC DC 13 5 A/24 VDC	2.5 A/230 VAC 5 A/24 VDC	2.5 A/230 VAC 5 A/24 VDC
Mechanical lifetime	≥ 30 x 10 ⁶ operations	≥ 30 x 10 ⁶ operations	≥ 30 x 10 ⁶ operations
Electrical lifetime (at max load)	AC 1 ≥ 2.5 x 10 ⁵ operations	≥ 2.5 x 10 ⁵ operations	≥ 2.0 x 10 ⁶ operations
Operating frequency	≤ 7200 operations/h	≤ 7200 operations/h	≤ 7200 operations/h
Dielectric voltage	≥ 4 kVAC (rms)	≥ 4 kVAC (rms)	≥ 4 kVAC (rms)
Outputs - Dupline®			
Response time	1 pulse train	1 pulse train	1 pulse train

Supply Specifications

Power supply	Overvoltage cat. III (IEC 60664)	Power supply DC types	Overvoltage cat. III (IEC 60664)
Rated operational voltage through term. 21 & 22	230 230 VAC ± 15% (IEC 60038)	Operational voltage through term. 21 & 22	800 10 to 30 VDC (ripple included)
115	115 VAC ± 15% (IEC 60038)	824	15 to 30 VDC (ripple included)
024	24 VAC ± 15%	Ripple	≤ 3 V
Frequency	45 to 65 Hz	Reverse-polarity protection	Yes
Voltage interruption	≤ 40 ms	Rated operational current	
Rated operational power		G 3430 1149 800	≤ 150 mA
G 3430 1149 024/115/230	Typ. 3.5 VA	G 3430 2249 824	≤ 150 mA
G 3430 2249 024/115/230	Typ. 4.5 VA	G 3430 4443 824	≤ 100 mA
G 3430 4443 024/115/230	Typ. 3.5 VA	Power dissipation	
Power dissipation		G 3430 1149 800	≤ 5.5 W
G 3430 1149 024/115/230	≤ 6.5 W	G 3430 2249 824	≤ 5.5 W
G 3430 2249 024/115/230	≤ 8 W	G 3430 4443 824	≤ 6 W
G 3430 4443 024/115/230	≤ 8 W	Inrush current	≤ 1 A
Rated impulse withstand voltage		Rated impulse withstand voltage	800 V
230	4 kV	Dielectric voltage	
115	2.5 kV	Supply - Dupline®	≥ 200 VAC (rms)
024	800 V	Supply - Outputs	≥ 4 kVAC (rms)
Dielectric voltage			
Supply - Dupline®	≥ 4 kVAC (rms)		
Supply - Outputs	≥ 4 kVAC (rms)		

General Specifications

Output OFF delay	
Upon loss of Dupline carrier	20 ms
Power ON delay	Typ. 2 s
Power OFF delay	≤ 1 s
Indication for	
Supply ON	LED, green
Output ON	LED, red (one per output)
Dupline® carrier	LED, yellow
Environment	
Degree of protection	IP 20
Pollution degree	3 (IEC 60664)
Operating temperature	-20° to +50°C (-4° to +122°F)
Storage temperature	-50° to +85°C (-58° to +185°F)
Humidity (non-condensing)	20 to 80%
Mechanical resistance	
Shock	15 G (11 ms)
Vibration	2 G (6 to 55 Hz)
Dimensions	
Material	
(see Technical informations)	H4-housing
Weight	
G 3430 1149, G 3430 2249	250 g
G 3430 4443	300 g

Mode of Operation

1-channel receiver with change-over contact output

The output is coded by means of the code programmer GAP 1605.

The output is normally OFF. When a transmitter coded to the selected channel is activated, the output turns on and remains on until the respective channel becomes deactivated. The default setting is such that upon loss of Dupline® carrier the output goes off.

2-channel receiver with two change-over contact outputs

Each output may be coded individually by means of the code programmer GAP 1605. The outputs are normally off.

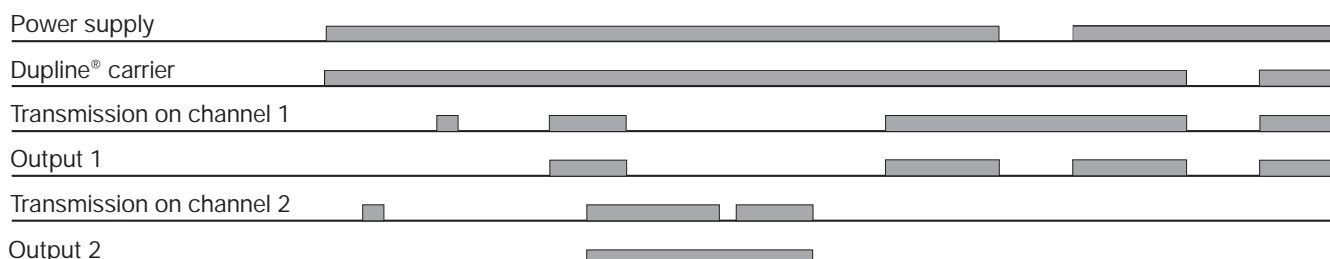
When a transmitter coded to the selected channel is activated, the output turns on and remains on until the respective channel becomes deactivated. The default setting of the module is such that upon loss of Dupline® carrier **all** outputs go off.

4-channel receiver with four normally open contact outputs

Each output may be coded individually by means of the code programmer GAP 1605. The default setting of the module is such that upon loss of Dupline® carrier **all** outputs go off.

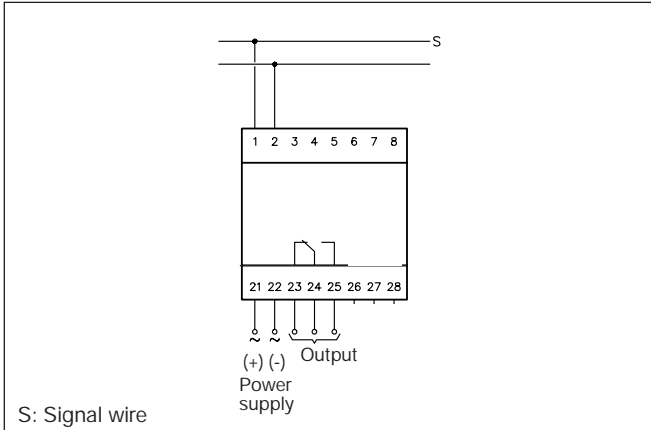
For changing the default setting, please refer to the data-sheet on GAP 1605.

Operation Diagram

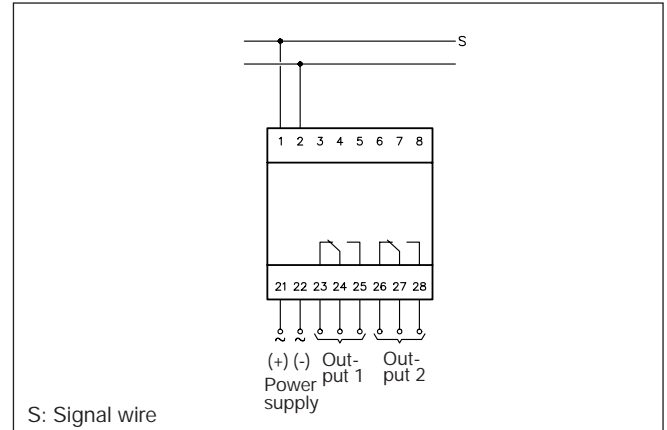


Wiring Diagrams

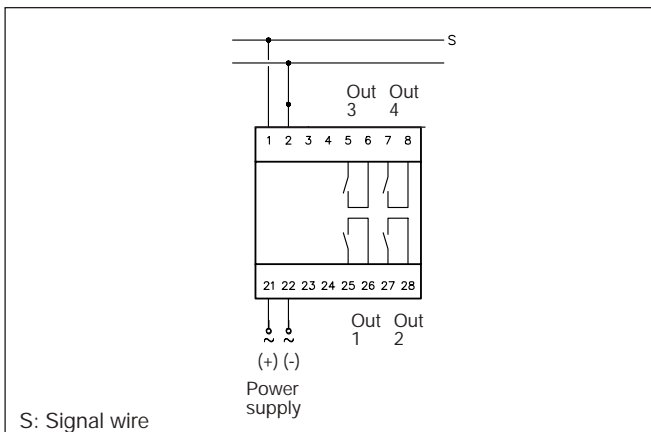
1 channel G 3430 1149
AC (DC) supply



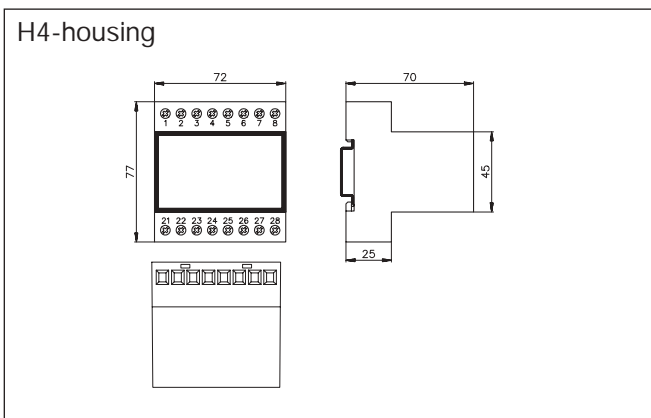
2 channels G 3430 2249
AC (DC) supply



4 channels G 3430 4443
AC (DC) supply



Dimensions (mm)



Accessories

DIN-rail

FMD 411

For further information, see "Accessories".