

Panel Actuators and Indicators

Type PL 22

Pilot Lights

CARLO GAVAZZI



PL 22C HL



PL 22C RL



PL 22C LL



PL 22C TL

- Ø 22mm (Ø0.87") dimension
- Compact versions
- Different colours choice
- High brightness pure colour LED
- High reliability and durability
- AC and DC voltage
- cULus and CE
- IEC/EN 60947-5-1, IEC/EN 60073, IEC/EN 60529, UL 508



PL 22S FL

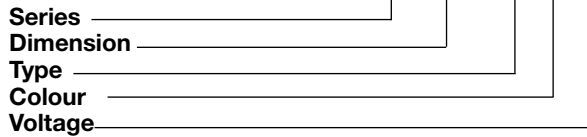
Product description

Pilot lights are panel mounted lamp assemblies consisting of the indicator housing, an internal lamp, terminals, and a lens. Applications include industrial control panels of all

types, equipment indicator panels, status indicators and display lighting. The light source is high brightness pure colour LED.

Ordering key

PL 22C HL R 24



Approvals



Technical data

Rated imp. withstand voltage U_{imp}	2500VAC 50Hz 1min.
Rated insulation Voltage U_i	500VAC
Allowable voltage fluctuation	±20%
Continuous operating life	≥100.000h
Ultrahigh brightness	≥100cd/m ² (≥9.29ftc)
Applying frequency	50-60Hz
Current consumption (AC/DC)	≤18mA
Operating temperature	-25 to +70°C (-13 to +158°F)
Storage temperature	-30 to +80°C (-22 to +176°F)
Degree of protection	IP 65

Dimensions

22S = Ø22mm (Ø0.87") standard size
 22C = Ø22mm (Ø0.87") compact size (not for FL type)

Types

- HL = High Lens
- RL = Round Lens
- LL = Low Lens
- TL = Teeth Lens
- FL = Flash Light

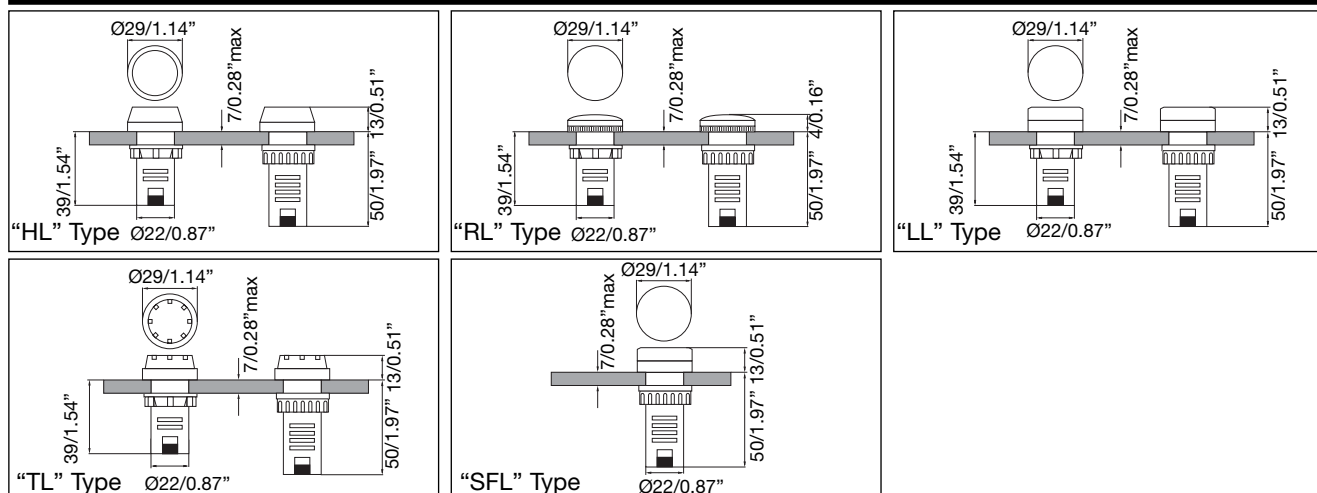
Colours

- R = Red
- W = Clear/White
- B = Blue
- Y = Yellow
- G = Green

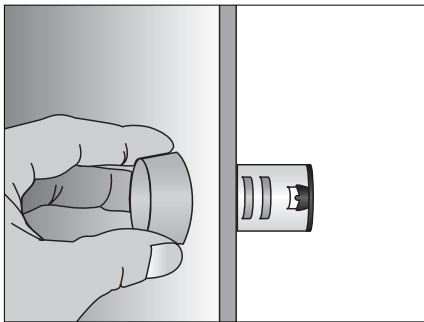
Voltages

- 06 = 6VAC/DC
- 12 = 12VAC/DC
- 24 = 24VAC/DC
- 48 = 48VAC/DC
- 110 = 110VAC/DC
- 220D = 220VDC
- 220A = 220VAC
- 380A = 380VAC

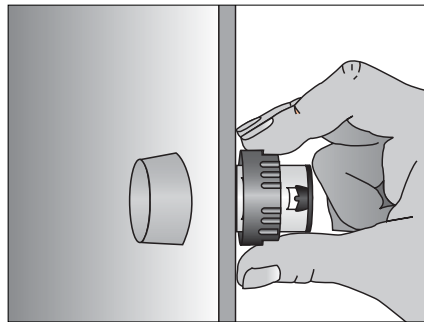
Dimensions mm/inches



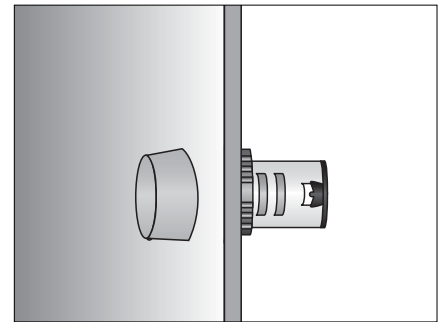
Mounting



Just insert the pilot light into the hole of the pannel.

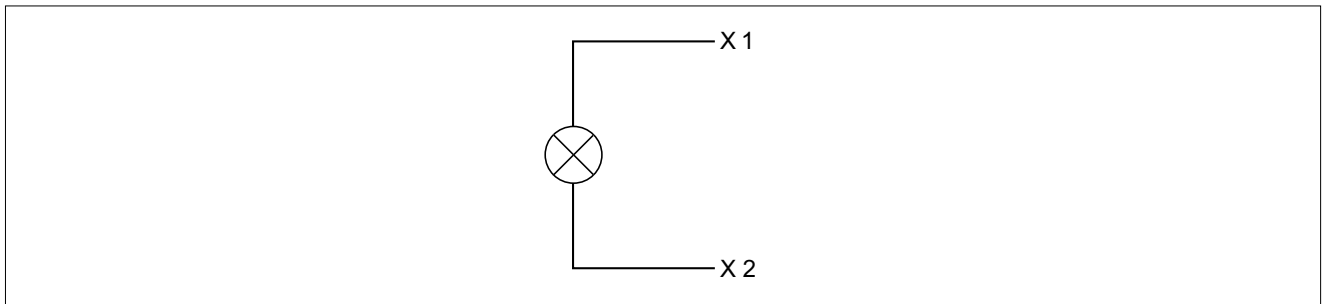


The pilot light will be secured at the back by the plastic nut



The pilot light has been installed.

Wiring Diagram



Accessories for Panel Indicators



Reducing ring for Pilot Light Ø22mm (0.87")

To mount the Ø22mm (0.87") pilot light into the hole for Ø25mm (0.98") or Ø30mm (1.18") of the panel.

ABS

Ø25mm/Ø0.98"

PA RR 2

Ø30mm/Ø1.18"

PA RR 3



Fastening connector for Pilot Light Ø22mm (0.87")

Improve the quality of installation and reduce the time of installations.

PC

PA PL CONN



Panel hole cap Ø22mm (0.87")

For blocking up prepared or useless holes on the panels.

ABS

PA PHC 22